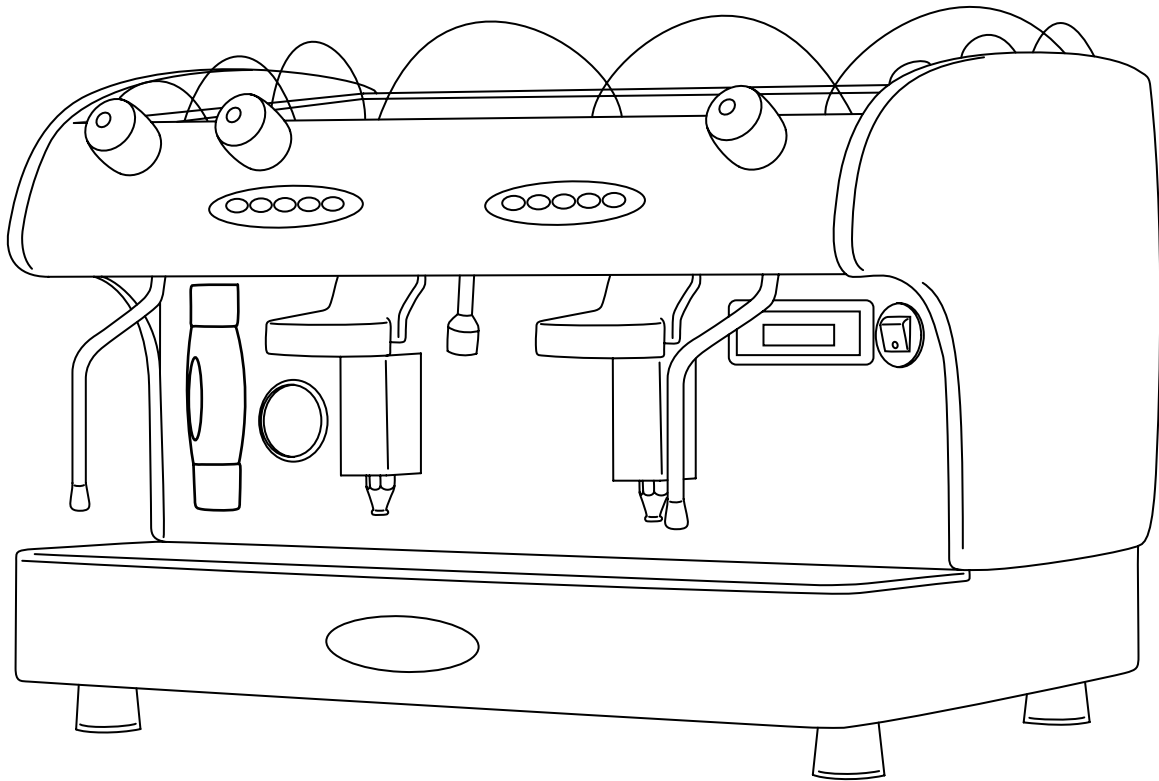


**ROMANO
ESPRESSO COFFEE MACHINE
1, 2 AND 3 GROUP**

PARTS LIST



**Fracino
17-19 Birch Road East
Birmingham
B6 7DA**

**TEL: 0121 328 5757
FAX: 0121 327 3333
EMAIL: sales@fracino.com**

CONTENTS

Page

1-8	Parts list
9	Body
10	Boiler
11	Light Box
12	Group
13	Manifold
14	Steam and Hot Water Valves pre 2007
15	Steam Valves 2008-on
16	Filter
17	Sight Glass
18	Wiring Diagram (2007- on)
19	Wiring Diagram (pre 2007)

Part No.	Description	Quantity
	Body Work	
ROM20 Complete	Light Box Assembly	1
ROM27	White Diffuser	1
FC94D	Touch Pad Mounting Plate (auto only)	1,2 or 3
FC94CDBLUE	New Touch Pad Blue LEDs 2006-on (auto only)	1,2 or 3
FC94G	S/Steel Back Plate (auto only)	1,2 or 3
ROM91	Electronic Box Mounting Plate	1
ROM92	Touch Pad Mounting Plate	1, 2 or 3
ROM93	Blue LCD Display	1
FC91/3/3D5Maestro	Romano Control Box	1
FC116	Cable Grommet 20mm	1, 2 or 3
FC166HLS	High Limit Manual Reset Thermostat	1
FC166HL SB	High Limit Thermostat Bracket	1
FC189S/P	Switch Surround	1
FCC189	Group Switch Assembly Blue LED (semi only)	1, 2 or 3
FCC189/SB	Group Switch Block (semi only)	1, 2 or 3
FCC189LED	Group Switch Blue LED Bulb (semi only)	1, 2 or 3
FC224/PMB	Pump Motor Mounting Bracket	1
ROM227	Chassis (1 Group)	1
ROM228	Chassis (2 Group)	1
ROM229	Chassis (3 Group)	
ROM237/1 ROM237/2 ROM237/2	Drip Trays	1
ROM234/1 ROM234/2 ROM234/3	Drip Tray Grid	1
ROM230	Cup Tray Top Panel (1Group)	1
ROM231	Cup Tray Top Panel (2Group)	1
ROM232	Cup Tray Top Panel (3Group)	1
ROM230/1P	Perspex Cup Shield 1 Grp.	1
ROM230/1W	Wire Cup Shield 1 Grp.	1
ROM230/2P	Perspex Cup Shield 2 Grp.	1
ROM230/2W	Wire Cup Shield 2 Grp.	1
ROM230/3P	Perspex Cup Shield 3 Grp.	1
ROM230/3W	Wire Cup Shield 3 Grp.	1
ROM230A	Grommet For Wire Cup Shield	4
ROM240A	Oval Formed Panel	1
ROM240B	Vinyl Logo	1
ROM239	Rear Panel (1 Group)	1
ROM240	Rear Panel (2 Group)	1
ROM240/3	Rear Panel (3 Group)	1
FC244	Rubber Feet	4
FC244CN	New St. Steel Foot Cover (2007 – on)	4
ROM242SS	Romano Right Hand S/S Pressed Side Panel	1
ROM249SS	Romano Left Hand S/S Pressed Side Panel	1

ROM251	1 Group Auto Front Panel	1
ROM251-S	1 Group Semi Front Panel	1
ROM252	2 Group Auto Front Panel	1
ROM252-S	2 Group Semi Front Panel	1
ROM252FAST	2 Group Auto Front Panel with FAST System	1
ROM253	3 Group Auto Front Panel	1
ROM253-S	3 Group Semi Auto Front Panel	1
ROM253FAST	3 Group Auto Front Panel with FAST System	1
	Boiler	
FC83/07	Boilers (1 Group) 2007-on	1
FC84/07	Boilers (2 Group) 2007-on	1
FC85/07	Boilers (3 Group) 2007-on	1
FC92	Flow Meter (auto only)	1, 2 or 3
FC134	Safety Valve	1
ROM140/1 ROM140/2 ROM140/3	Expansion Valve to Waste Cup	1
FC140/A	Waste Cup All Models	1
FC143	Heat Ex Btm "B" type	2
FC143A2	Special Dip Tube 190mm 84Deg. C.	2
ROM144	Top Sight Glass Pipe	1
ROM145	Sight Glass to Boiler Bottom	1
ROM146/2B	Manual Fill/Solenoid Valve to Boiler Pipe	1
FC156	Boiler Tee 3/8" x 1/4" x 1/4"	1
FC161	Element 2700W 1GRP	1
FC161/4	Element 4000W 1GRP	1
FC162	Element 4000W 2GRP	1
FC163	Element 7500W 3GRP	1
FC162/B	Element 7500W	1
FC162/C	Element 2850W	1
FC165/IC	Element Cover	1
FC165	Element Gasket Silicon	1
FC165F	Element Gasket Fibre	1
FC165T	Element Gasket Teflon	1
FC165V	Element Gasket Vitron	1
FC167	Element Bolt M8 x 25 S/S	1
FC169	Pressure Switch	1
FC169A	Pressure Switch Lock Nut	1
FC171	Inlet Solenoid Valve	1
FC179M	Pressure Gauge 60mm Double Metal Case	1
FC179AU	Pressure Gauge Bracket	1
FC179B	1/8" Lock Nut	2
FC191	Probe Complete Std 120mm	1
FC191A	Probe St. Steel Rod	1
FC191B	Probe Insulator	1
FC225	Pump Head (inc. Retaining Clip)	1
FC224B	Pump Motor RPM 150	1

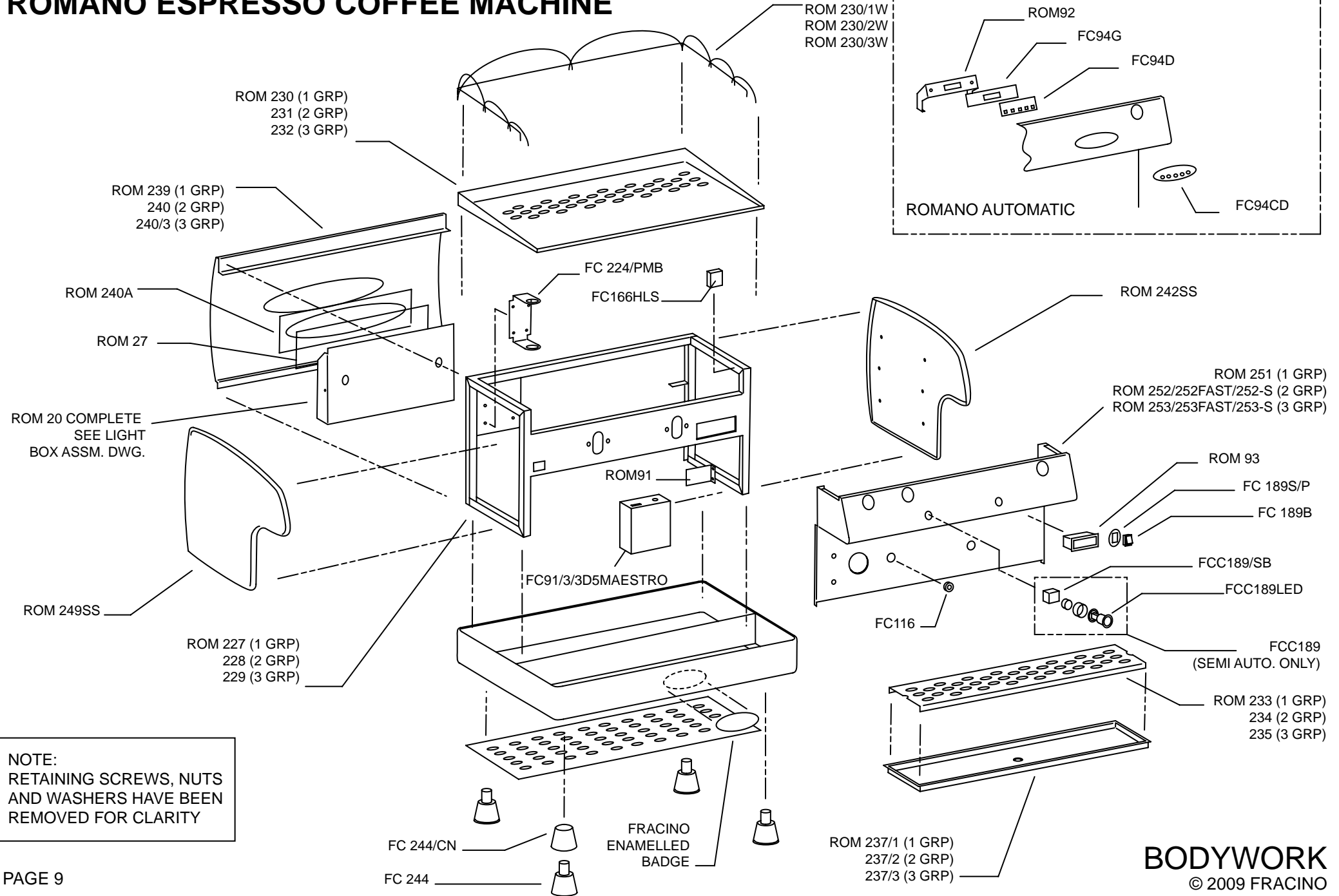
FC224C	Pump Motor Capacitor	1
ROM141/1 (1GRP) ROM141/1 (2GRP) ROM141/1 (3GRP)	Manifold to Heat Exchange Pipe (Semi)	1
ROM147	Heat Exchanger to Group Pipe (top)	
ROM146A/2/07	Inlet Solenoid /Manual Fill to Boiler Pipe (2007–2008 only)	1
ROM146A	Manifold to Inlet Solenoid Valve	1
ROM146B	Inlet Solenoid to Boiler Pipe 2008-on	1
ROM146C	Manual Fill to Boiler Pipe	1
ROM147/3	Right Hand Top Group Pipe Romano (3Grp)	1
ROM149	Pipe Boiler To Right Hand Steam Valve	1
ROM149/2	Pipe Boiler To Right Hand Steam Valve (07-on)	1
ROM150/07	Boiler To Steam Valve Pipe Left Hand	1
ROM150A	Boiler To Hot Water Valve Romano	1
ROM151/1	Boiler To Pressure Switch Pipe 1 Grp.	1
ROM151/2	Boiler To Pressure Switch Pipe 2 Grp.	1
ROM151/3	Boiler To Pressure Switch Pipe 3 Grp.	1
ROM152	Boiler To Pressure Gauge Pipe	1
ROM153	Manifold To Pump Pressure Gauge	1
ROM154/1 ROM154/2 ROM154/3	Manifold To Flow Meter Feed Pipe (auto only)	1
ROM155	Heat Exchanger To Flow Meter Pipe (auto only)	1, 2 or 3
	Manifold	
FC136	Inlet Hose – Pump to Manifold	2
FC138A	Manifold Forged	1
FC170	Manual Fill Valve	1
FC178G	Adjustment Screw	1
FC178B	Expansion Valve Spring	1
FC178FV2	Expansion Valve Jumper	1
FC137/C	Braided Inlet Hose 3/8" Elbow x 3/4" Straight 2.5M	1
FC180CN	M20 Lock Nut	1
FC198	Pad Washer	1
FC178/D	3/8"x 1/4" Special Fitting	1
FC180ANT	Non Return Valve Fitting	1
FC180BNT	Non Return Valve Stem	1
FC180DNT	Non Return Valve Spring	1
HEA180A	'O' Ring	1
	Light Box	
ROM20 Complete	Romano/Cybercino Light Box	1
ROM20	Light Box White Powder Coat	1
ROM21	Starter	1
ROM22	Starter Holder	1
ROM23	Lamp Holder	1

ROM24	Rubber Gland	1
ROM25	Ballast	1
ROM26	12" 8W T5 White Tube	1
ROM26B	12" 8W T5 Blue Tube	1
ROM27	White Perspex Light Diffuser	1
FC106/9/16	Filter Holder Handles 2004-on	
FC106	Filter Holder Handles M12 (Pre 2003)	
FC107	Single Filter (7gsm)	1
FC107/D (10)	Single Filter (10gsm)	1
FC107POD	Single Pod Filter	1
FC110	Filter Spring	1
FC105	Single Filter Holder Complete	1
FC108 (12)	Double Filter (12 gsm)	1
FC108/D (14)	Double Filter (14 gsm)	1
FC105A	Double Filter Holder Complete	1
FC112	Double Beak (closed)	1
FC112/I	Double Beak (open)	1
FC112/AF	Double Beak Adjustable Flow	1
FC111A	Single Beak Curved	1
FC111	New Single Beak Curved	1
FC105/3	3 Cup Filter Holder Complete	1
	Group	
FC132B	Blank Nut small	1
FC99	Group Body	1
FC104	Filter Holder Washer (8.0mm thick)	1
FC104/8.5	Filter Holder Washer (8.5mm thick)	1
FC104/9	Filter Holder Washer (9.0mm thick)	1
FC104P	Filter Holder Paper Packing	1
FC103M	Shower Plate	1
FC103S	Shower Plate Screw	1
FC97B	Group Cowl	1
FC132A	Top Jet Filter Holder	1
FC130	Filter	1
FC129A	Group Jet – To Take Filter FC130	1
FC101	Group Gasket	1
FC120	Solenoid Base 'O' Ring	2
FC116	Solenoid Base	1
FC119	Solenoid Base Screws	4
FC121	Solenoid Nucleus Ruby	1
FC121/V	Solenoid Nucleus Kit	1
FC122	Solenoid Outer Case	1
FC124/1	Solenoid Coil with Cables 230V	1
FC124A	Coil Washer	1
FC124B	Coil Spring Washer	1
FC1214C	Coil Lock Nut	1
FC95N	Exhaust Fitting	1

	Sight Glass Assembly	
FC181A	Sight Glass Assembly Complete	1
FC181	Sight Glass	1
FC182	Sight Glass 'O' Ring	3
FC183	Sight Glass Brass Ring	2
FC184	Sight Glass Top Holder	1
FC185/A	Sight Glass Bottom Holder (inc. Drain Plug)	1
FC185/B	Sight Glass Drain Plug (chrome)	1
FC186	Sight Glass Gland Nut	2
FC187N	Sight Glass Cover	1
FC196B	3/8" BSP Lock Nut	2
FC196C	3/8" BSP S/S Washer	2
MIN190	Water Filling Blue LED 14mm	1
FC135	Air Release Valve	1
	Water and Steam Valves pre-2007	
ROM222AB	Complete Hot Water Valve	1
ROM222AA/04	Steam Valve and Tube Assembly (complete)	1 or 2
FC222L/HR	Cap for Hand Wheel (hot water) Chrome	1 or 2
FC222L/R	Cap for Hand Wheel (steam) Chrome	2 or 3
FC222K/D91	'R' Holding Clip St. Steel	2 or 3
FC222J	S/Steel Securing Washer	2 or 3
FC222H/R	Hand Wheel Curved Sided (Black)	2 or 3
FC222H	Hand Wheel Curved Sided (Glitter)	2 or 3
FC222N	Hand Wheel Tension Spring	2 or 3
FC222P	Spring Retaining Cup	2 or 3
FC222Q	Hand Wheel Spacer	2 or 3
FC196C	Lock Nut 1/2" BSP	2 or 3
FC222R	Valve Head and Stem Guide	2 or 3
FC222RS	Valve Head New 09/030N	2 or 3
FC222SG	'O' Rings Valve Stems	4 or 6
FC222T	Brass Gland Stem Seal	2 or 3
FC222U	Spring (valve stem)	2 or 3
FC198A	Pad Washer	2 or 3
FC222V	Valve Stem Long Head	2 or 3
FC222VS	Valve Stem Short Head	2 or 3
FC222A/03	Valve Body Angled (steam)	2
FC222A	Valve Body (hot water valve)	1
FC222G	Seal	2 or 3
FC222C	Spring (steam pipe)	2 or 3
FC222F/M	Brass Spacer Spherical 'end mod'	2 or 3
FC221D	Steam/Water Tube Retaining Nut	2 or 3
ROM222C	Water Pipe St. Steel	1
FC222X	Steam Pipe St. Steel 04 on	1
FC194E	Anti Splash Hot Water Nozzle Mesh Assembly	1
FC221ES/CP	Steam Tube Ball Chrome Plated	2 or 3

FC222E/M	'O' Ring	3
FC56	Steam Tube Clip	1
FC194/B	Steam Jet Nozzle	1
	Steam Valve 2007 – on	
	As above including:	
FC222AA/04	Steam Valve and Tube Assembly (complete)	1 or 2
FC196CP	Lock Nut ½" Chrome Plated	1, 2 or 3
UNI221	Steam/Water Tube	
FC222JSP	External Shake Proof Washer	1, 2 or 3
FC222G	Copper Seal Valve Body/Tube Nut	1, 2 or 3
UNI222F	Stainless Steel Washer	1, 2 or 3
UNI222EM	PTFE Spherical Seal For Tube Nut (09 – on)	1, 2 or 3
UNI222FP	PTFE Spherical Top Ball Seal (09 – on)	1, 2 or 3
	Miscellaneous	
FC158	Plug Lead	1
FC158/A	3 Core Power Cable 2.5mm	1
FC158/M	3 Core Power Cable 6mm	1
FC158/3PA	5 Core 2.5mm Power Cable – 3 Phase	1
ROM160/1 ROM160/2 ROM160/3	Wiring Harness (semi)	1
ROM159/1 ROM159/2 ROM159/3	Wiring Harness (auto)	1

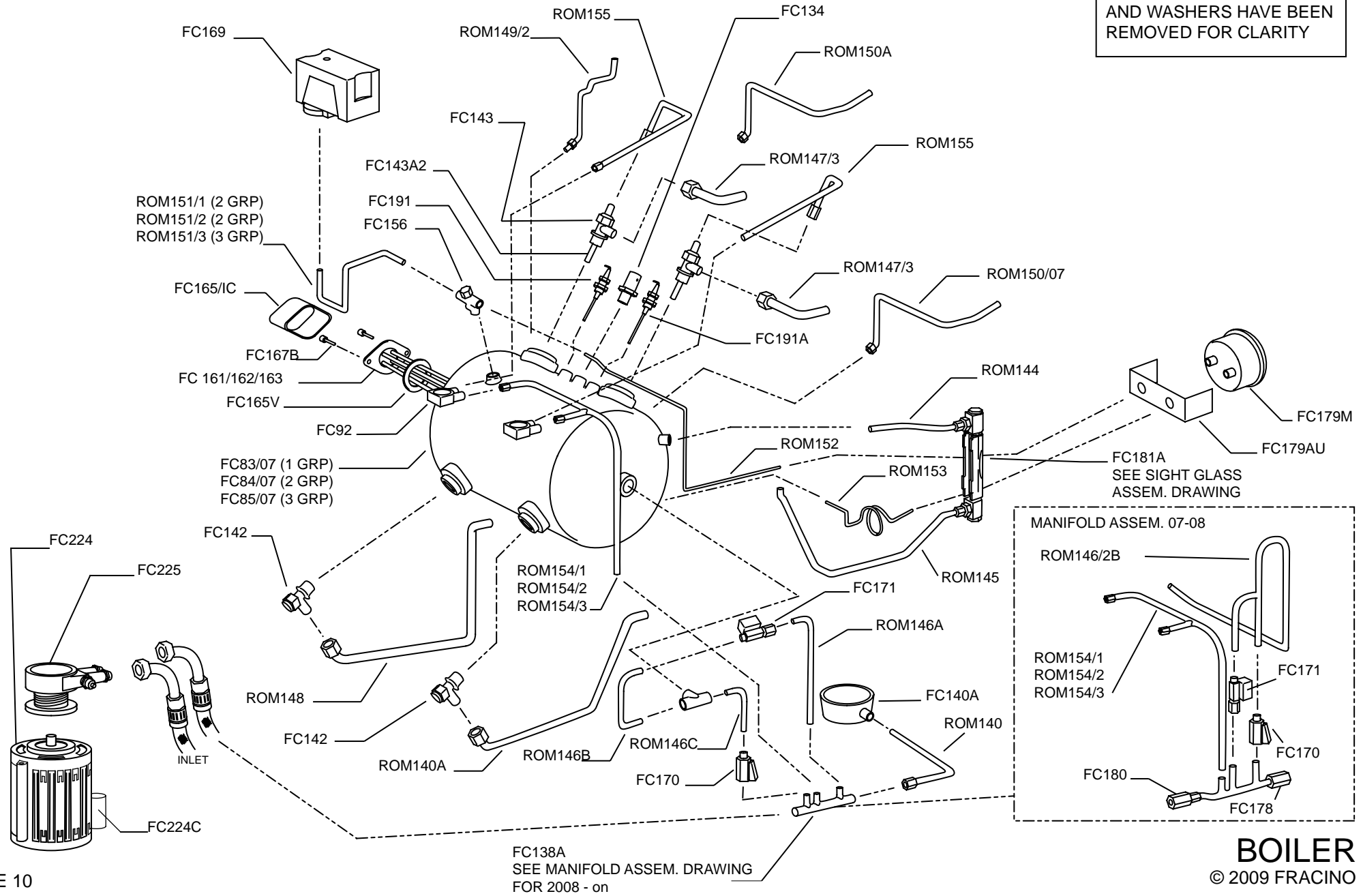
ROMANO ESPRESSO COFFEE MACHINE



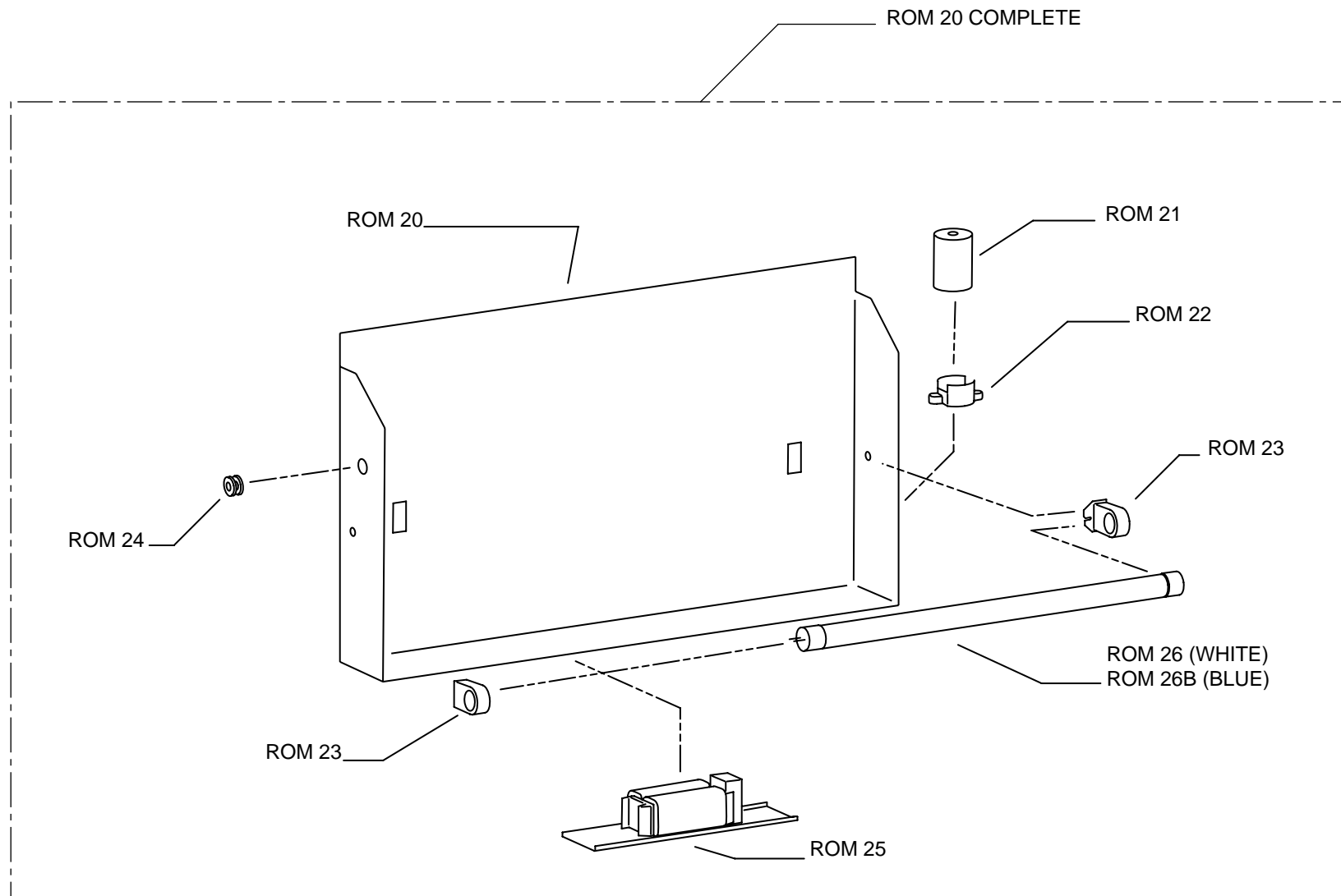
NOTE:
RETAINING SCREWS, NUTS
AND WASHERS HAVE BEEN
REMOVED FOR CLARITY

ROMANO ESPRESSO COFFEE MACHINE

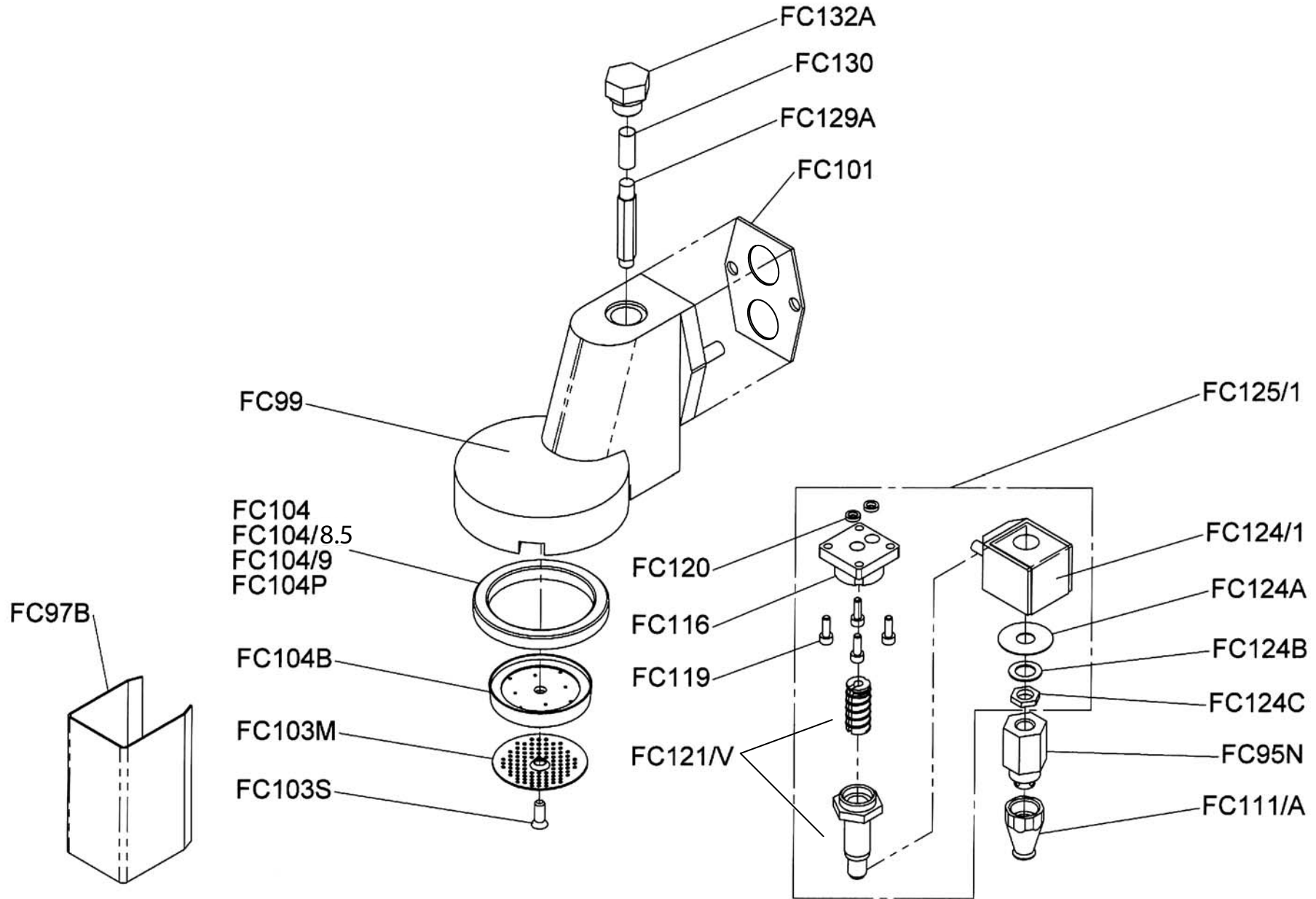
NOTE:
RETAINING SCREWS, NUTS
AND WASHERS HAVE BEEN
REMOVED FOR CLARITY



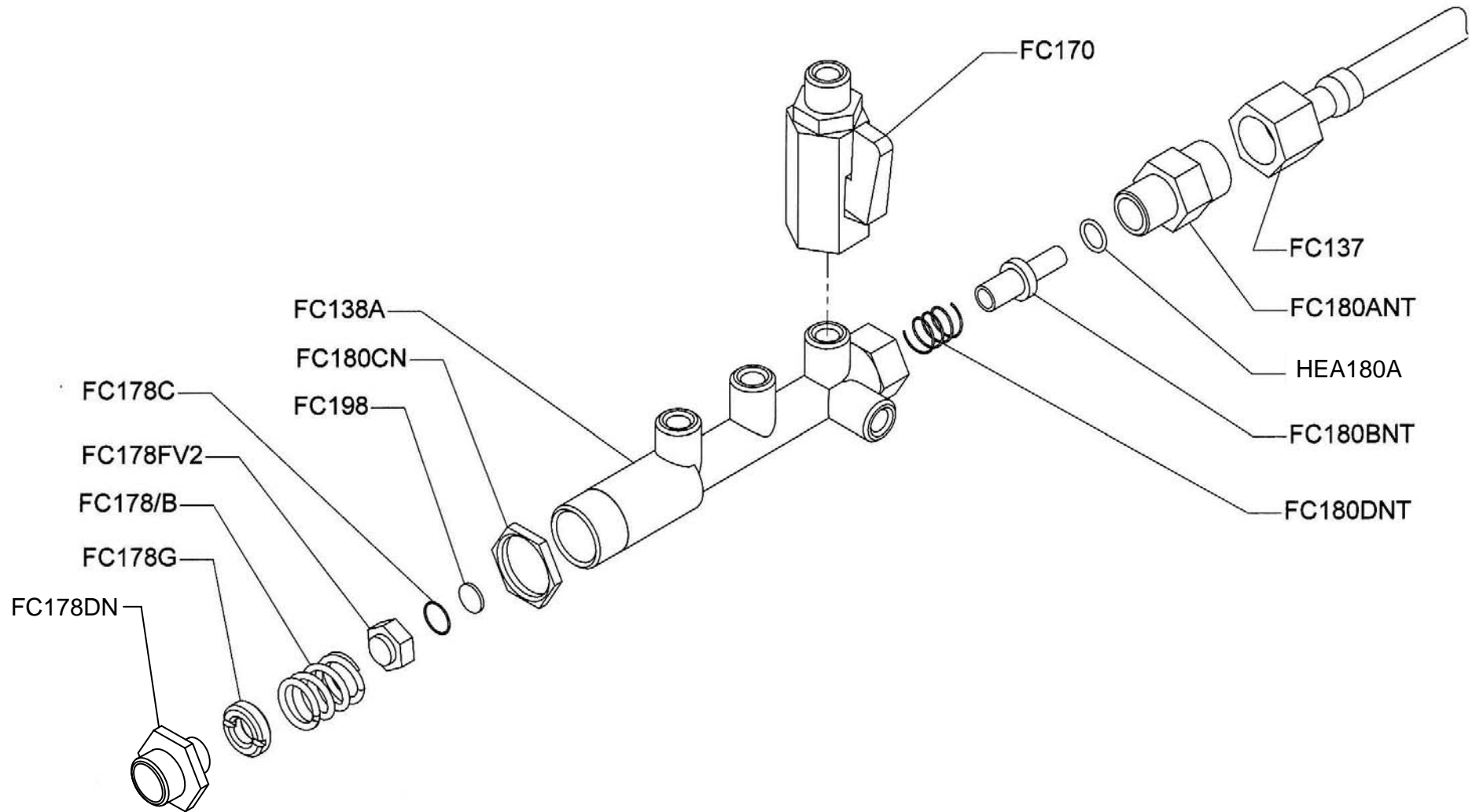
ROMANO ESPRESSO COFFEE MACHINE



ROMANO ESPRESSO COFFEE MACHINE



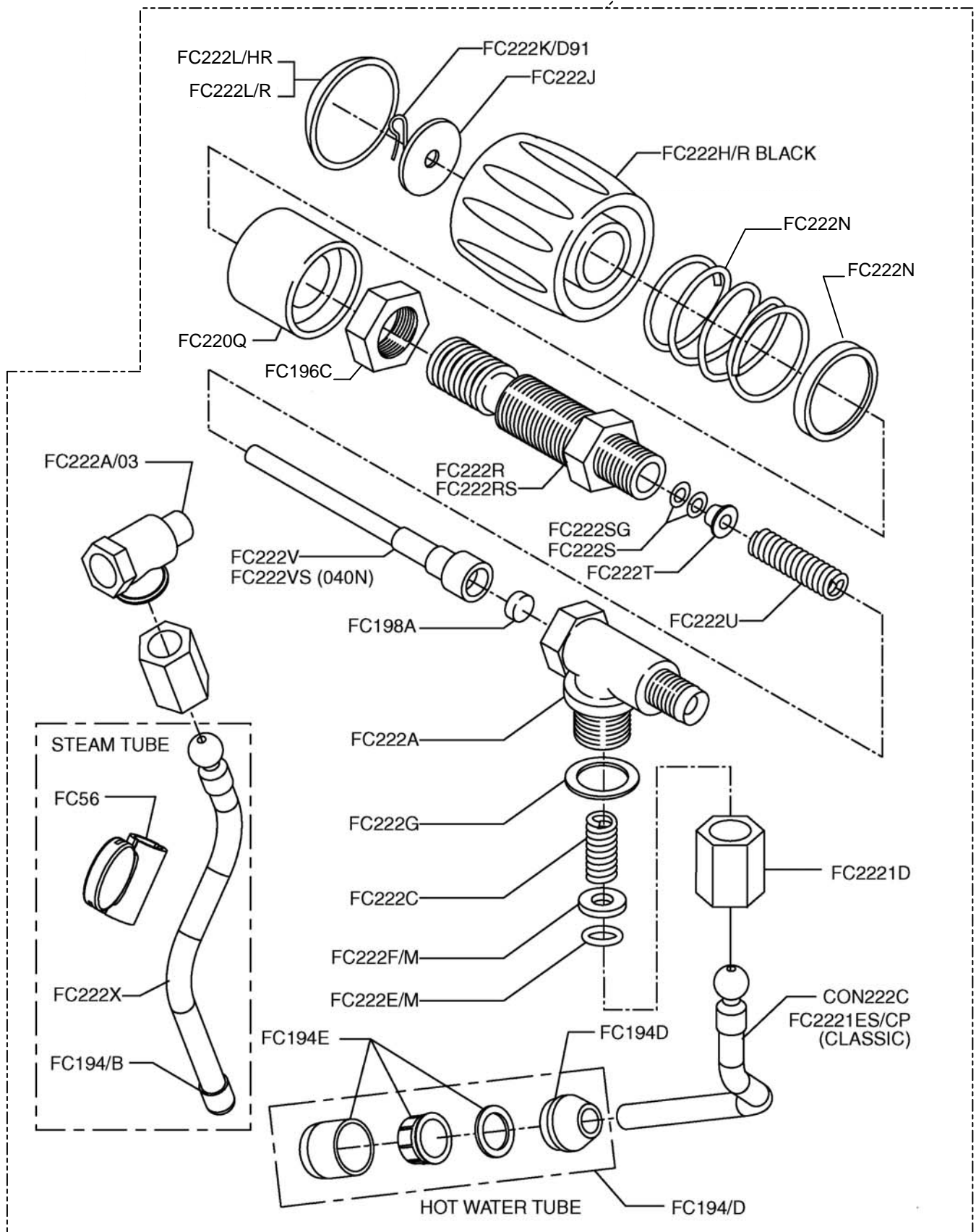
ROMANO ESPRESSO COFFEE MACHINE



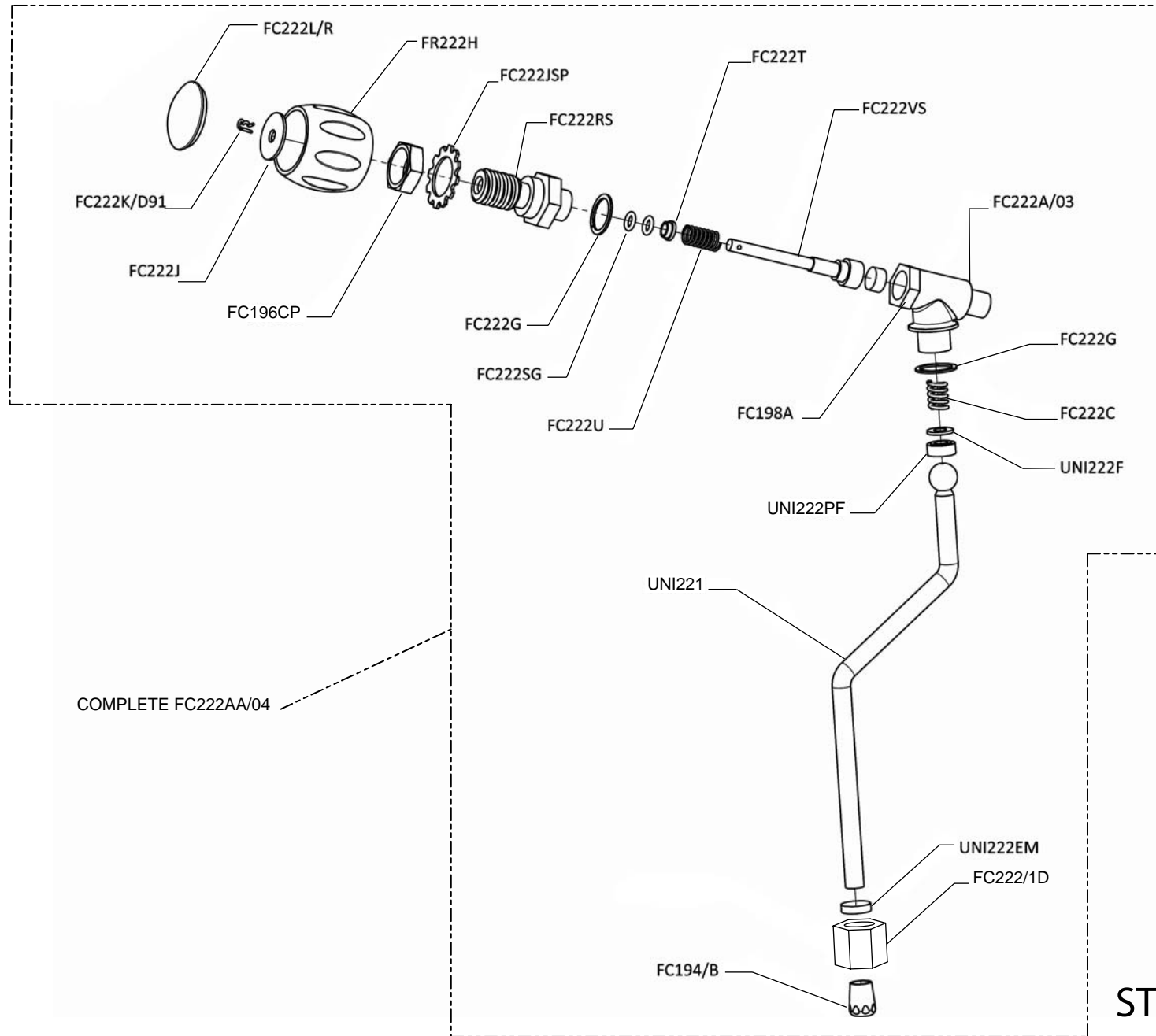
ROMANO ESPRESSO COFFEE MACHINE

COMPLETE STEAM VALVE: ROM222AA

COMPLETE HOT WATER VALVE: ROM222AB



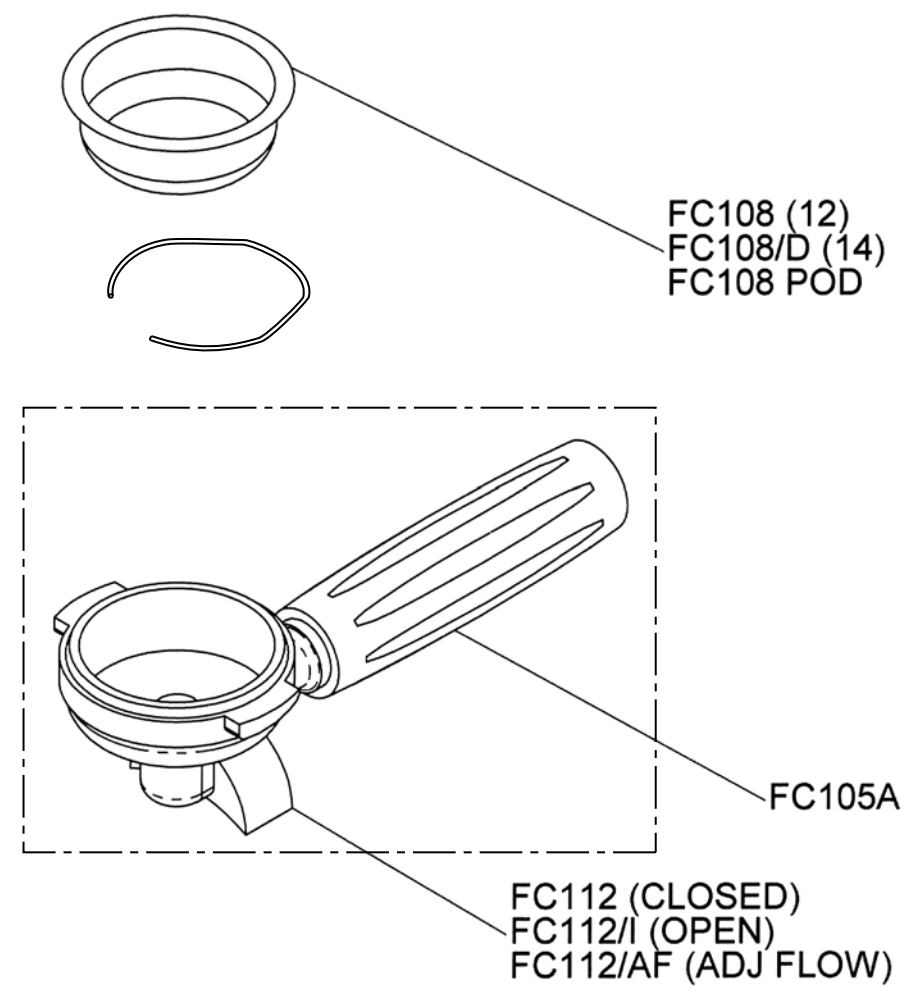
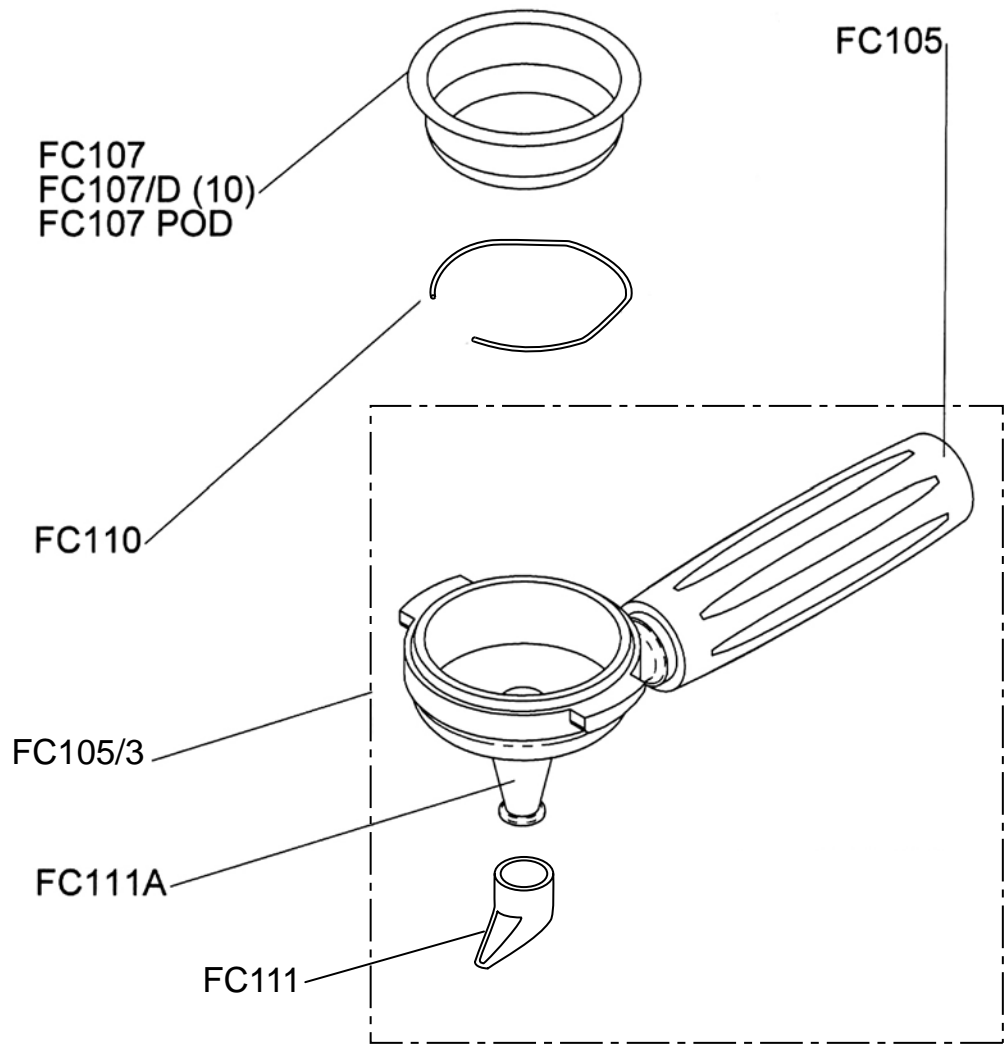
ROMANO ESPRESSO COFFEE MACHINE



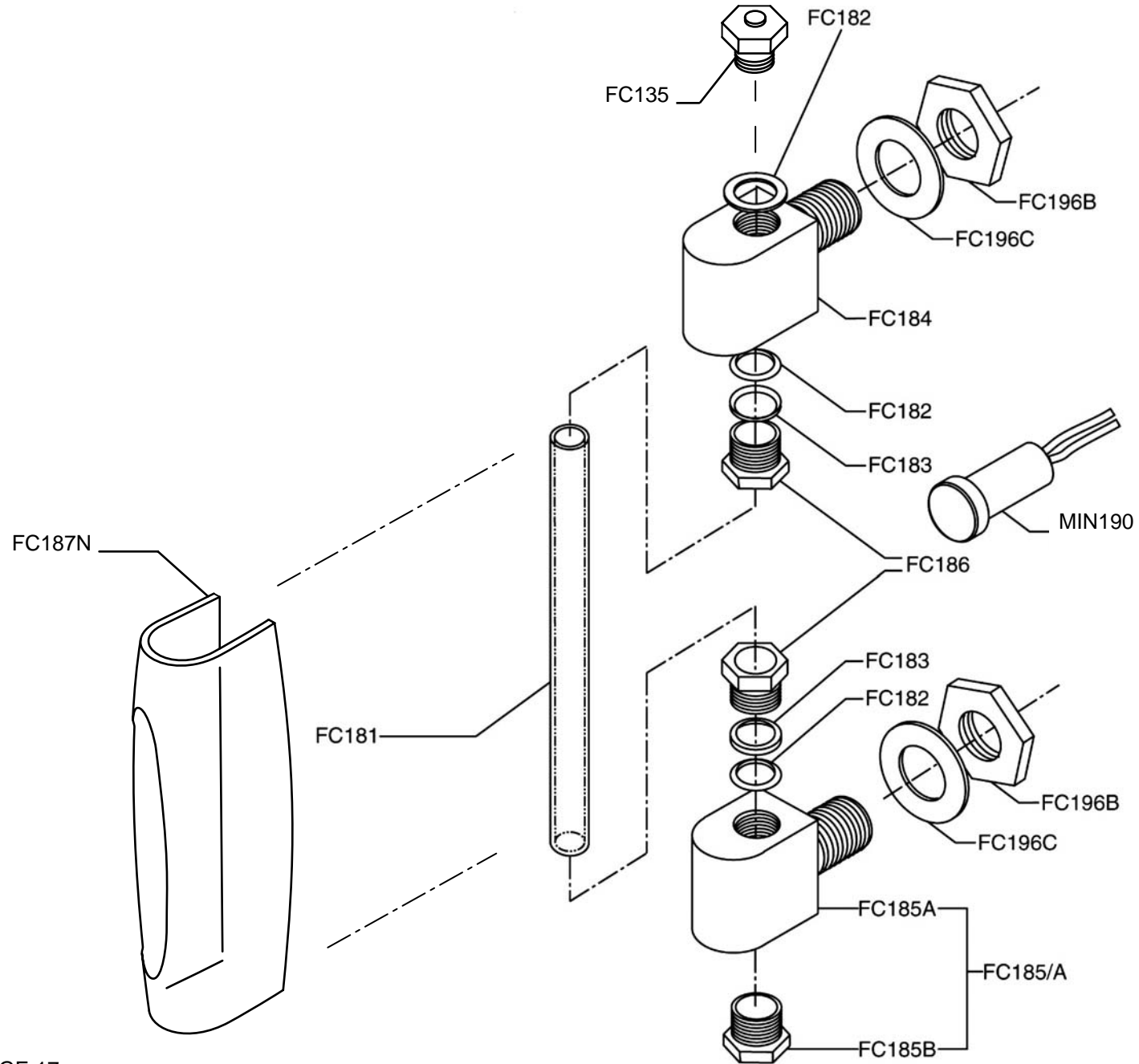
STEAM VALVE 2007-on

© 2009 FRACINO

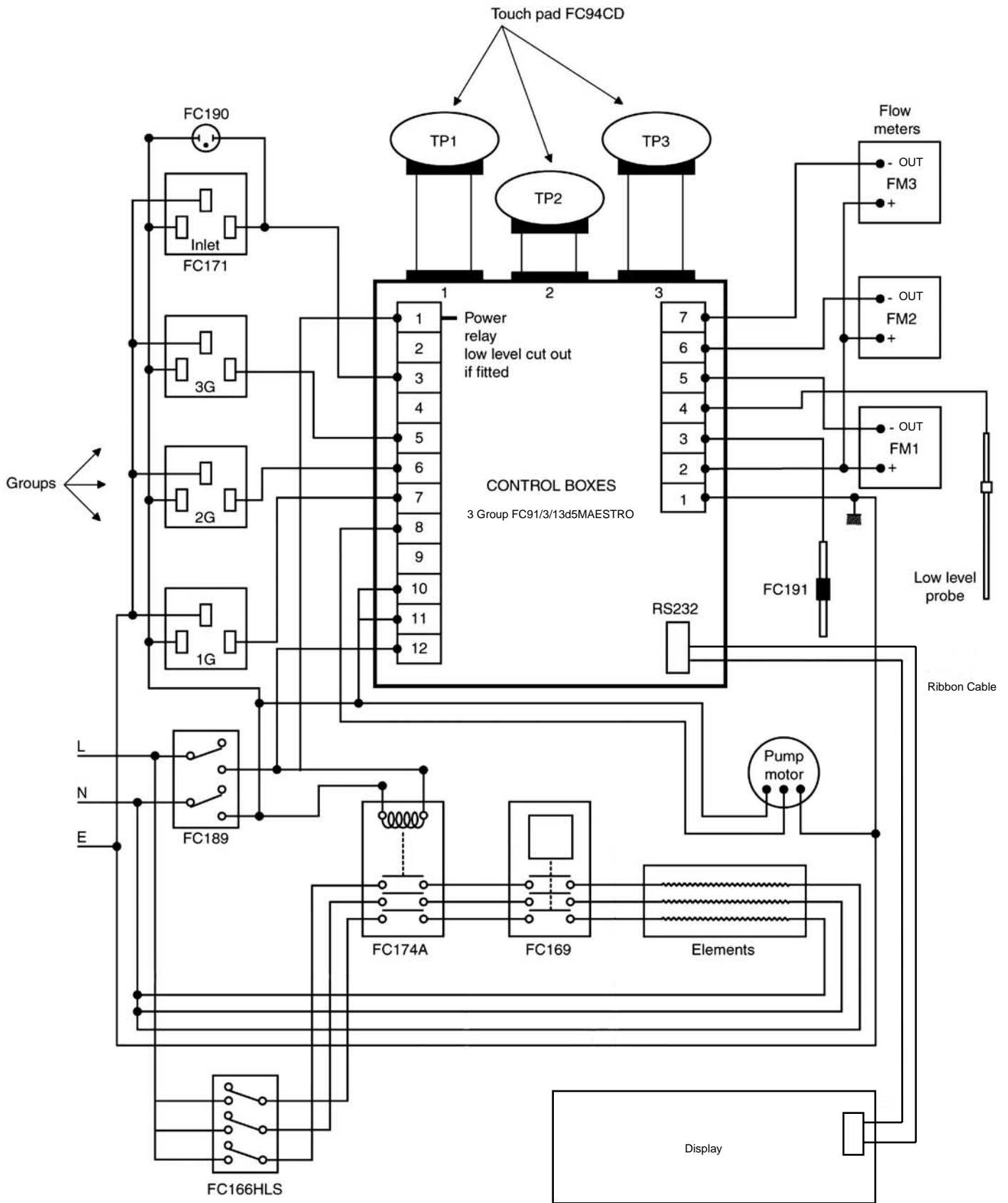
ROMANO ESPRESSO COFFEE MACHINE



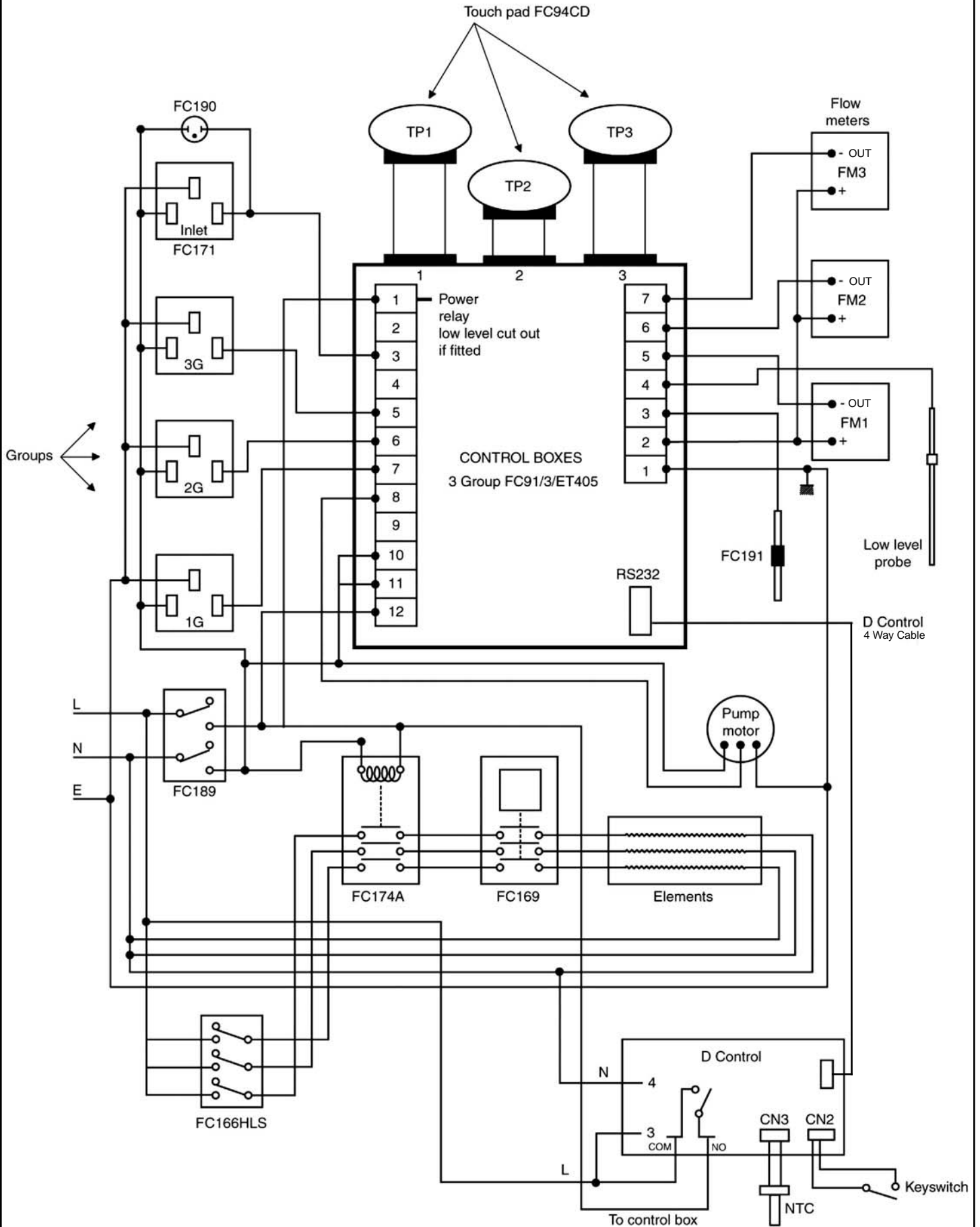
ROMANO ESPRESSO COFFEE MACHINE



ROMANO ESPRESSO COFFEE MACHINE



ROMANO ESPRESSO COFFEE MACHINE



WIRING DIAGRAM (Pre 2007)

© 2009 FRACINO